

NUMBER 178315

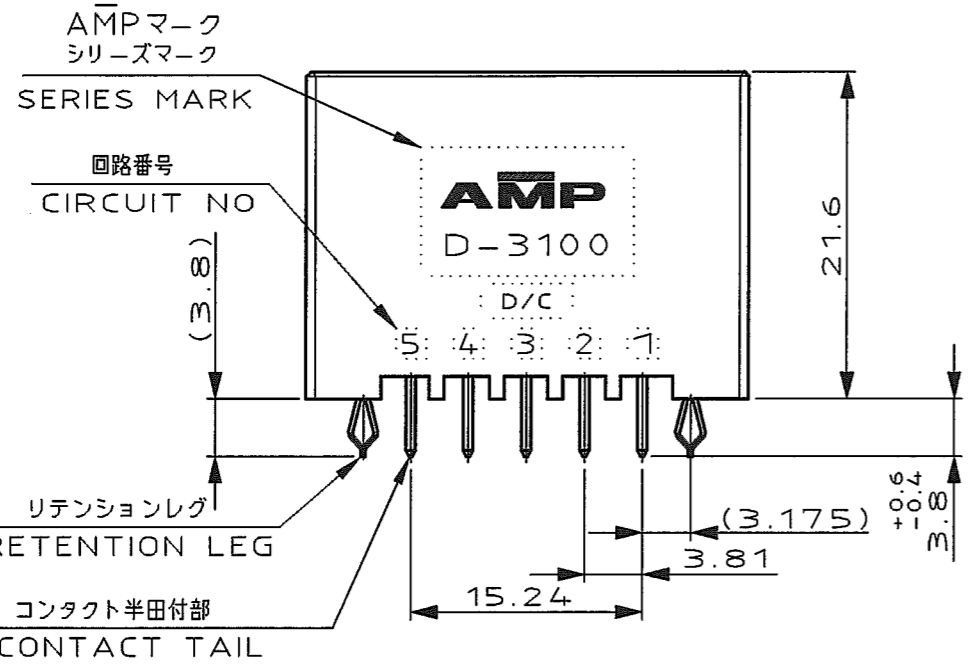
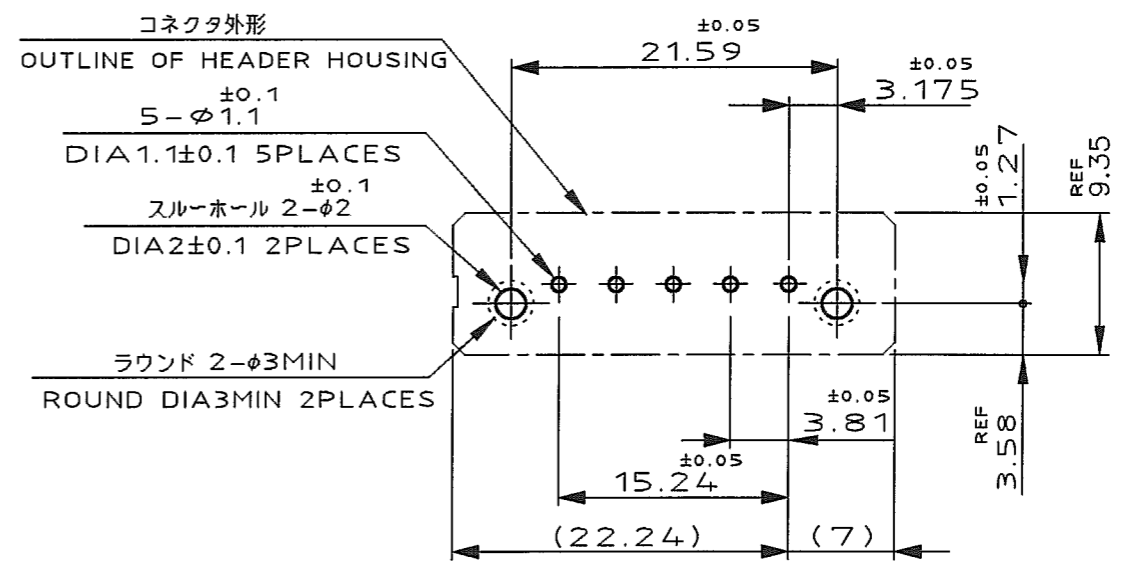
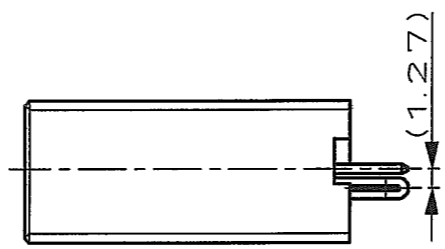
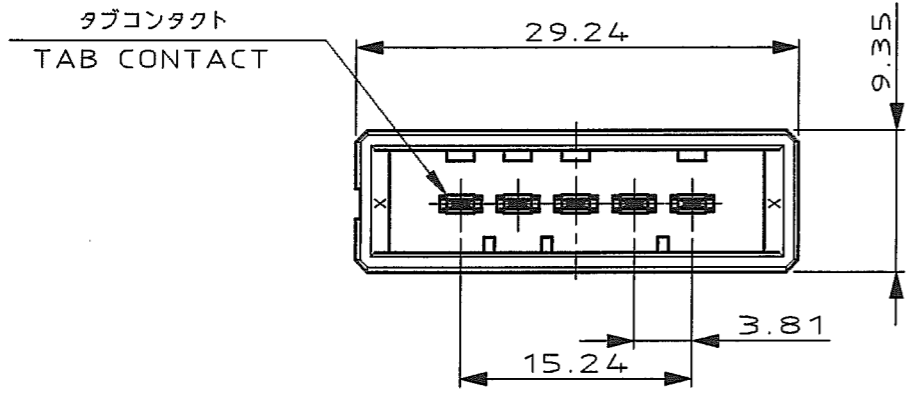


METRIC

DIMENSIONS IN MILLIMETERS. DO NOT SCALE PRINT

PRINT DIST

AMP-J  
REV.10/83



推奨基板取付け寸法  
PC 基板厚: 1.6 ± 0.1  
(非累積公差)  
(コネクタ搭載面)

RECOMEND PC BOARD HOLE PATTERN  
PC BOARD THICKNESS: 1.6 ± 0.1  
(NOT ACCUMULATE TOLERANCE)  
(CONNECTOR MOUNT SIDE)

NOTES

- MATERIAL: HOUSING: GLASS FILED THERMO PLASTIC, POLYESTER (94V-0), COLOR: BLACK  
CONTACT: COPPER ALLOY  
RETENTION LEG: COPPER ALLOY
- FINISH (CONTACT AREA): 0.38 μm MIN GOLD PLATING OVER Ni PLATING
- FINISH (CONTACT AREA): 0.76 μm MIN GOLD PLATING OVER Ni PLATING
- FINISH (CONTACT AREA): 2.0 μm MIN TIN PLATED OVER NICKEL
- FINISH (RETENTION LEG): TIN-LEAD PLATED (CONTACT TAIL) OVER NICKEL
- FINISH (RETENTION LEG): TIN PLATED (CONTACT TAIL) OVER NICKEL

注記

- 材料: ハウジング: ガラス入り熱可塑性ポリエステル樹脂 (94V-0), 色: 黒  
コネクタ: 銅合金  
リテンションレグ: 銅合金
- めっき: コネクタ: 全面Ni下地  
接触部: 0.38 μm MIN金めっき
- めっき: コネクタ: 全面Ni下地  
接触部: 0.76 μm MIN金めっき
- めっき: コネクタ: 全面Ni下地  
接触部: 2.0 μm MINスズめっき
- めっき: リテンションレグとコネクタ半田付部  
ニッケル下地の上に半田めっき
- めっき: リテンションレグとコネクタ半田付部  
ニッケル下地の上にスズめっき

△6	△4	1-178315-5
△6	△3	1-178315-3
△6	△2	1-178315-2
(FINISH)		製品番号 (PART NO.)

E	D	C	B	A	LTR
REVISED	REVISED	REVISED	REVISED	REDRAWN WITH CHANGE	REVISION RECORD
FJDO-0039-03	FJDO-0114-03	FJ00-2744-95	FJ00-0838-94	FJ00-0480-94	DR
T S S M	T S S M	K I S M	N M S M	N M S M	CHK
6/2/93	25 APR '03	16/JUN '95	7/4 '94	4/20 '94	DATE

Copyright © 1994 AMP (Japan) LTD. ALL RIGHTS RESERVED.		WIRE RANGE mm <sup>2</sup> (AWG - )		INSULATION DIA mm <sup>2</sup>	
MATERIAL SEE NOTE 注記参照		FINISH SEE NOTE 注記参照		NAME 5 POS SINGLE ROW VERTICAL HDR ASS'Y FOR DYNAMIC D-3100	
DR. N. Matsubara 19 APR 94		DE. N. Matsubara 19 APR 94		一般公差 (GENERAL TOLERANCE)	
CHK. S. MANABE 20 APR 94		APP. S. MANABE 20 APR 94		SIZE LOC NUMBER A3 J C=178315	
				SCALE 2-1 REV. E SHEET 1 OF 1	

Copyright © 1994 AMP (Japan) LTD. ALL RIGHTS RESERVED.			tyco Electronics Tyco Electronics AMP K.K. Kawasaki, Japan		
WIRE RANGE mm <sup>2</sup> (AWG - )		INSULATION DIA mm <sup>2</sup>		NAME 5 POS SINGLE ROW VERTICAL HDR ASS'Y FOR DYNAMIC D-3100	
MATERIAL SEE NOTE 注記参照		FINISH SEE NOTE 注記参照		一般公差 (GENERAL TOLERANCE)	
DR. N. Matsubara 19 APR 94		DE. N. Matsubara 19 APR 94		SIZE LOC NUMBER A3 J C=178315	
CHK. S. MANABE 20 APR 94		APP. S. MANABE 20 APR 94		SCALE 2-1 REV. E SHEET 1 OF 1	